

Tempering Valves

Solar 20/25mm

APPLICATION

For use in hot water supply systems with an uncontrolled heat source such as solar or wetback installations to mix hot and cold water to a controlled outlet temperature, reducing the risk of exposure to excessively hot water.

FEATURES/BENEFITS

- Able to withstand 110°C (constant), ideal for solar and wetback installations
- Extremely high flow rates make it suitable for both high and low pressure systems - 20 L/min @ 2 metre head
- Forged, high quality, corrosion resistant DR brass body
- Machined, assembled and 100% tested in NZ
- Dual non-returns - ideal for unequal pressures
- Failsafe shutdown - in the event of failure of hot or cold supplies

SPECIFICATIONS

- Length: TV20S 130mm Length: TV25S 135mm
- Factory set to give 50°C outlet. Can be adjusted from 35°C to 60°C.
- Maximum inlet temperature 110°C
- Stored water temperature must be at least 10°C above the Tempering valve setting and above 60°C (G12)
- Inlet water pressures:

TV20S	20 kPa (2m head) to 1000 kPa.
TV25S	20 kPa (2m head) to 1600 kPa.
- Flow rates:

TV20S	20 L/min at 20 kPa inlet pressure.
TV25S	25 L/min at 20 kPa inlet pressure.
- Max. pressure imbalance between the hot & cold supplies 5:1.

INSTALLATION

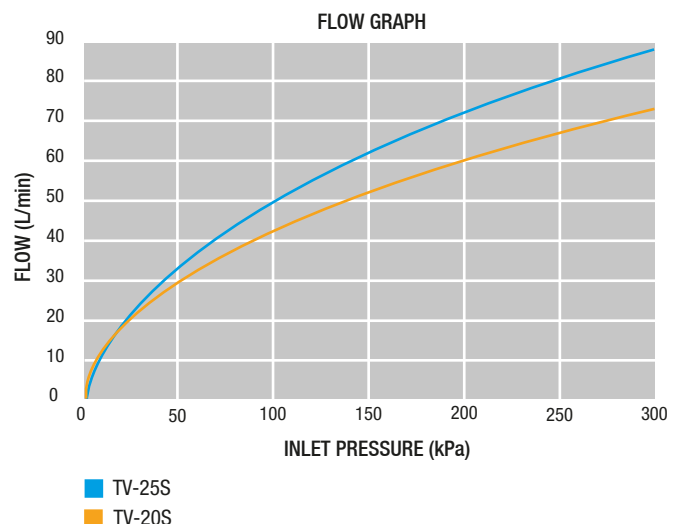
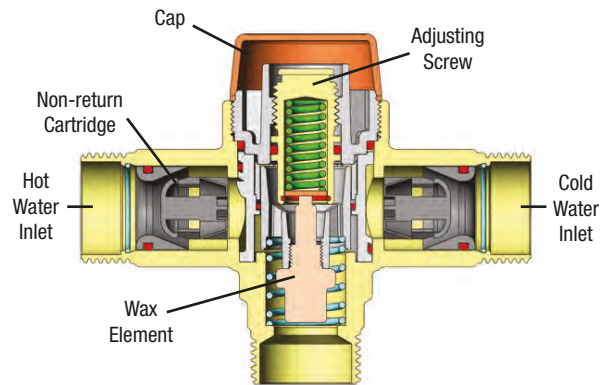
- Refer page 31 for installation guide
- Valve must be fitted by a qualified plumber
- Installation must comply with local authority requirements
- Valve may be installed in any orientation
- Flush pipes prior to fitting
- Valve must be protected by a line strainer
- Connections are H (hot inlet), C (cold inlet) and OUT (mixed temperature outlet)
- Do not apply heat near valve during installation - this may damage the mechanism
- Do NOT install valve directly into outlet of cylinder
- 1m MIN copper pipe length from cylinder to tempering valve, THIS IS A MANDATORY REQUIREMENT OF G12

TEMPERATURE ADJUSTMENT

Remove cap. Use screwdriver to adjust to desired temperature. To increase, turn anti-clockwise (H). To decrease, turn clockwise (C). Replace cap. Maximum delivered hot water temperature at any sanitary fixture used for personal hygiene shall not exceed 55°C. For childhood centres, schools, old peoples homes, hospitals and institutions for people with psychiatric or physical disabilities, outlet must be set to max 45°C.



TV25S



STANDARDS

- Complies with NZ Building Code G12 (2014)
- Complies with NZS 4617:1989
- NZ Patent No. 517764, Aust. Patent No. 2003200856
- RSA. Patent No. 2003/1992

PRODUCT CODES

- TV20S 20mm Solar Valve
- TV25S 25mm Solar Valve

